

Unidirectional and Bidirectional configurable 20V Over-Voltage Protector

DESCRIPTION

KF2031 is an innovative over voltage protector which can be used either in unidirectional or bidirectional mode, by only change the external connecting. In bidirectional mode, the switch integrated in KF2031 can shut off with the reverse blocking function, no body diode anymore.

KF2031 consists of a charge pump, a configurable power MOSFET, a voltage reference, a gate driver and some logics and protection modules. KF2031 can react to a input surge very fast and shut off the switch in 0.5us and stand the voltage spike as high as 20V.

KF2031 is in SOT-23-6 package.

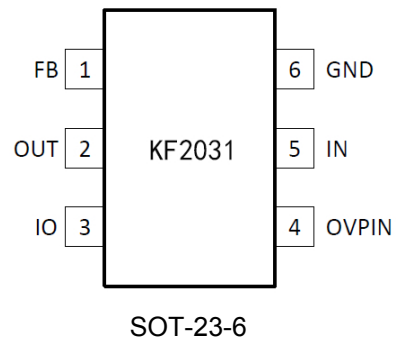
APPLICATIONS

- All electronic devices with input DC power plug

FEATURES

- Unidirectional and Bidirectional configurable
- Input OVP with 0.1us reaction time
- Input standoff voltage up to 20V
- 10mohm R_{dson} in Unidirectional mode
- 40mohm R_{dson} in Bidirectional mode
- Protection voltage programmable by V_{fb}=1.26V
- SCP and OTP

PIN CONFIGURATION



TYPICAL APPLICATION

